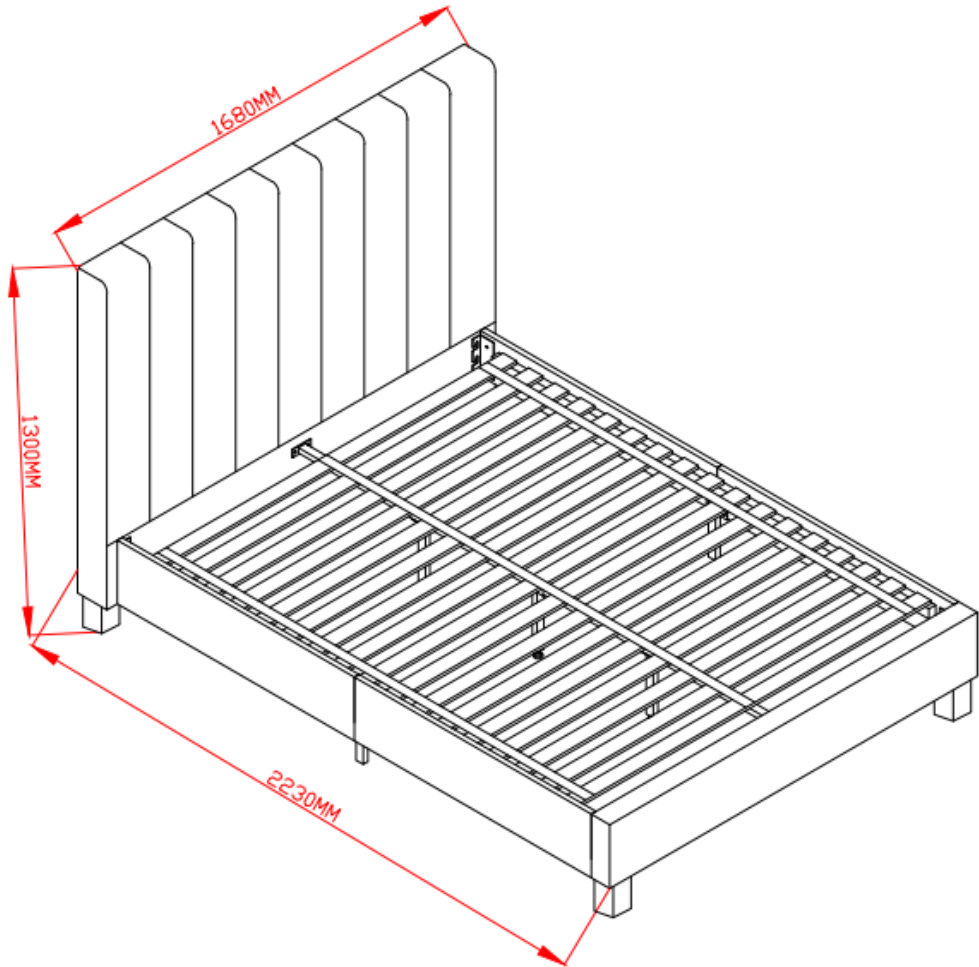


ASSEMBLY INSTRUCTION

CLAUDETTE

Brown Queen Bed

69764






Imported by JWA Furniture Pty Ltd, Qld, Brisbane Australia.
For any assistance with assembly or for missing parts please refer to your receipt











PRE-ASSEMBLY PREPARATION

Before you start:

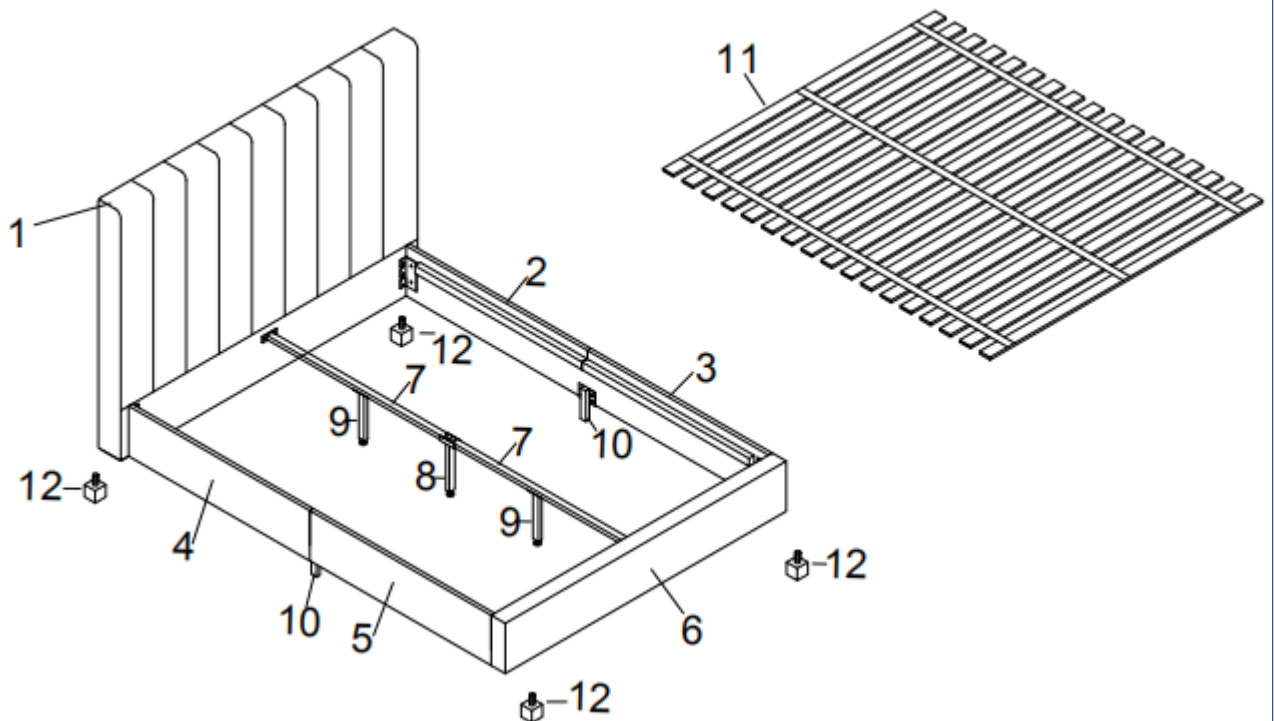
1. Choose a clean, level, spacious assembly area. Avoid hard surfaces that may damage the product
2. Take care when lifting. Product should be assembled as near as possible to the point of use
3. Ensure that you have all required contents for complete assembly
4. Always read the assembly instructions carefully before beginning assembly.
5. Keep all hardware parts and packaging out of reach of small children.
6. Do not over tighten the screws and bolts as this may damage the threads
7. Assembly is to be carried out by a competent adult(s) ONLY
8. During assembly, children should be kept away from the product due to possible risk to injury.
9. Do not use this item if any components are missing or damaged.
10. Please keep the instructions for future reference.

		
Allow 45 min	For 2 People	Additional tools required

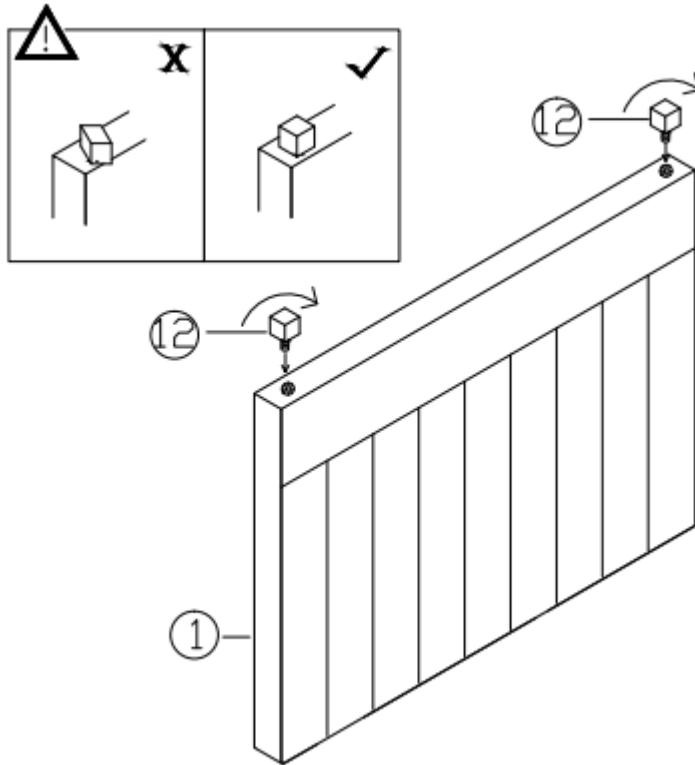
PARTS LIST

A M8X19mm x10pcs  Flat washer	B M5X100mm x1pcs  Allen key	C M12mm x1pcs  Wrench	D M8x12mm x6pcs  Nut	E M4X30mm x8pcs  Screw
F M8X40mm x6pcs  Bolt	G M6X20mm x8pcs  Bolt	H M4X65mm x1pcs  Allen key	I M6X19mm x8pcs  Flat washer	J M8X25mm x4pcs  Bolt

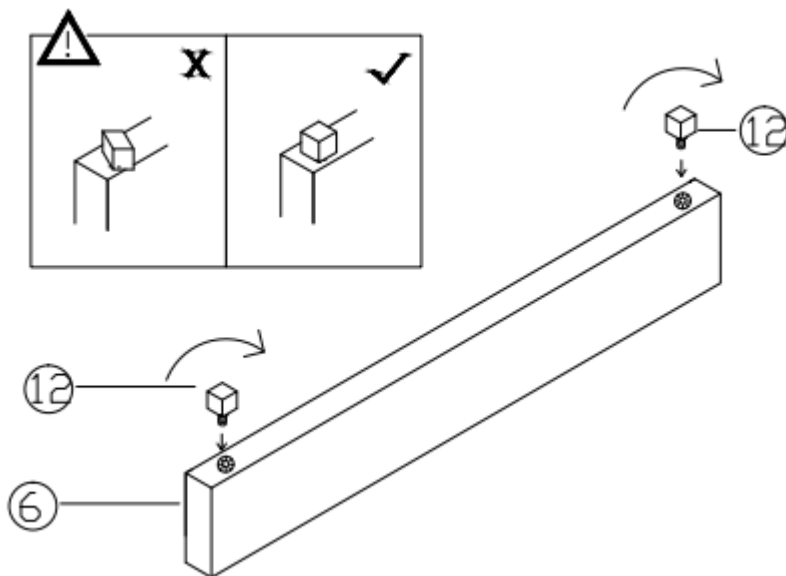
Part	Item	QTY	Part	Item	QTY
1	Headboard	1	2	Rail	1
3	Rail	1	4	Rail	1
5	Rail	1	6	Footboard	1
7	Centre slat rail	2	8	Support leg	1
9	Support leg	2	10	Support leg	2
11	Slat	1	12	Feet	4



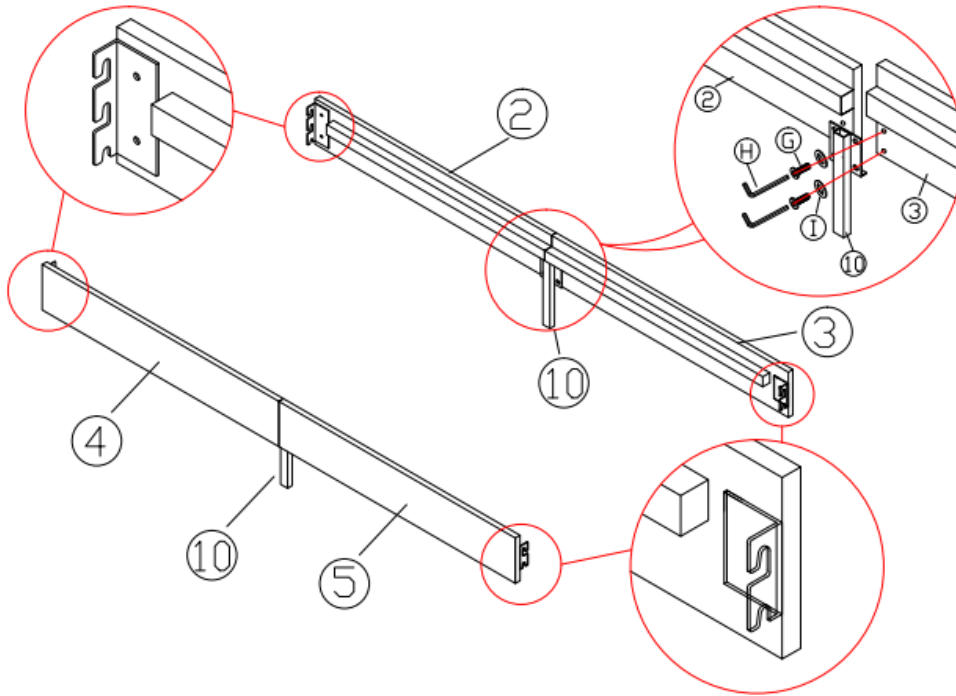
STEP 1:



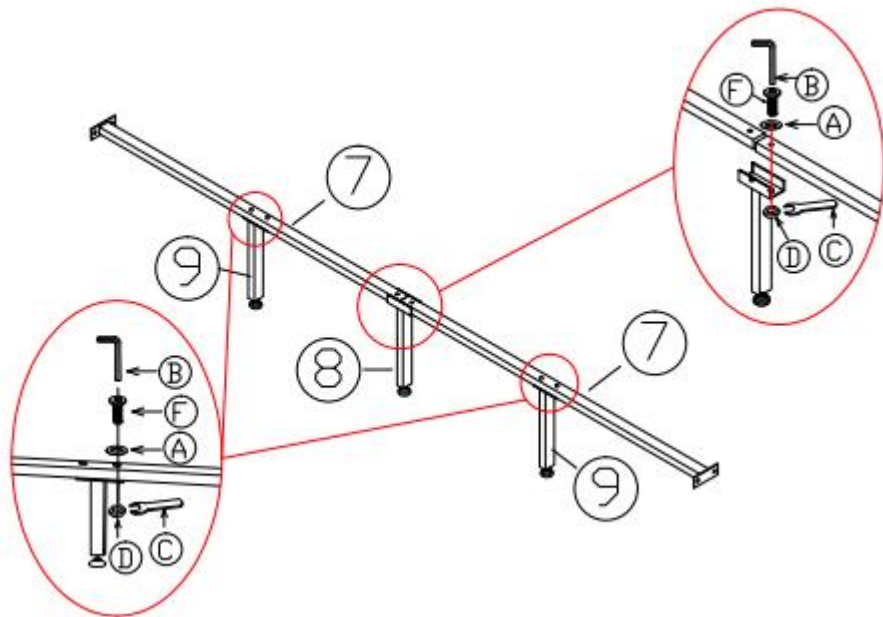
STEP 2:



STEP 3:

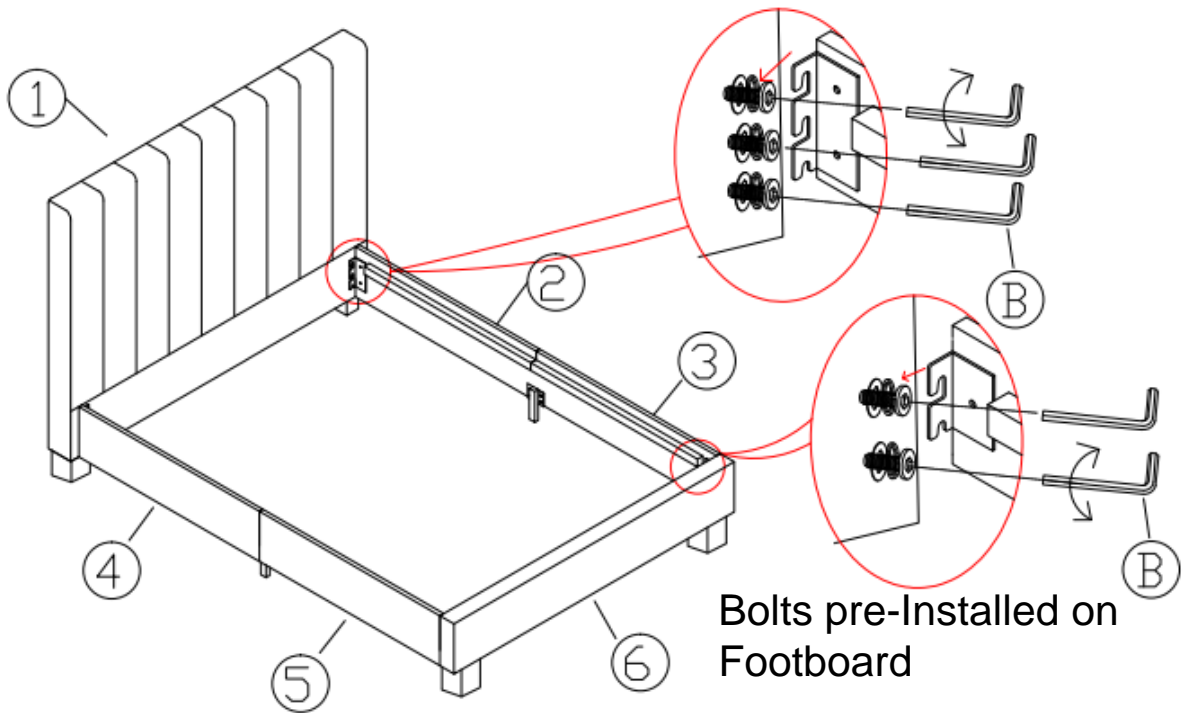


STEP 4:

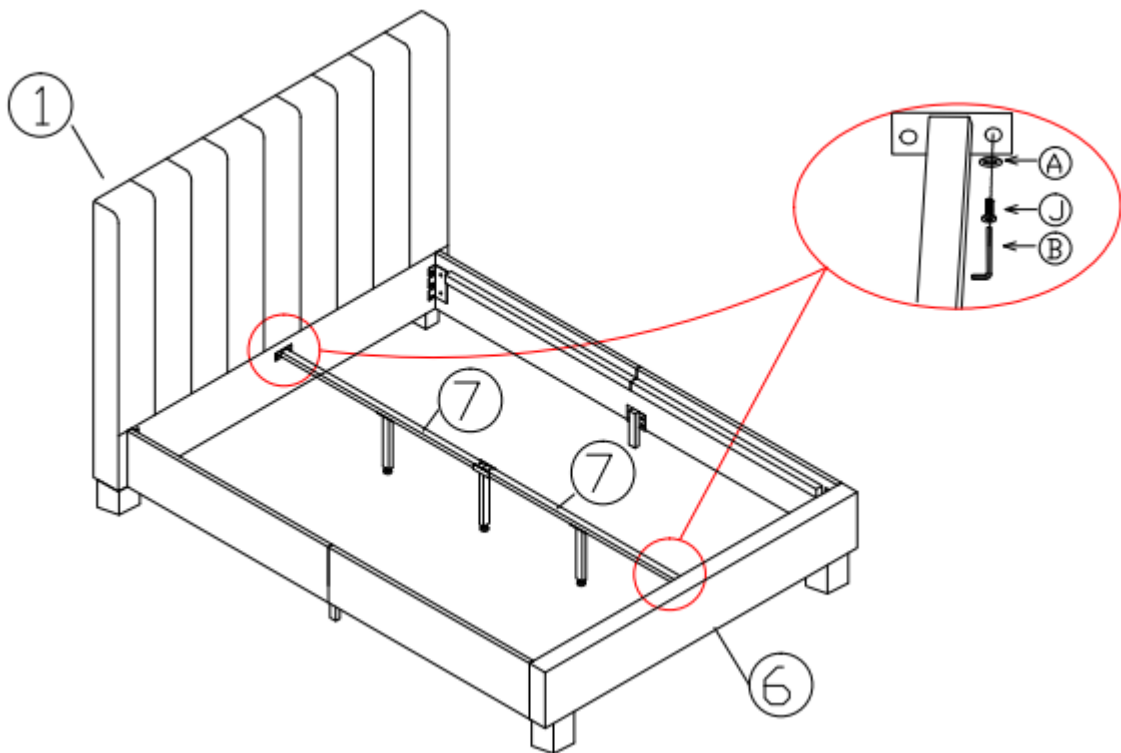


STEP 5:

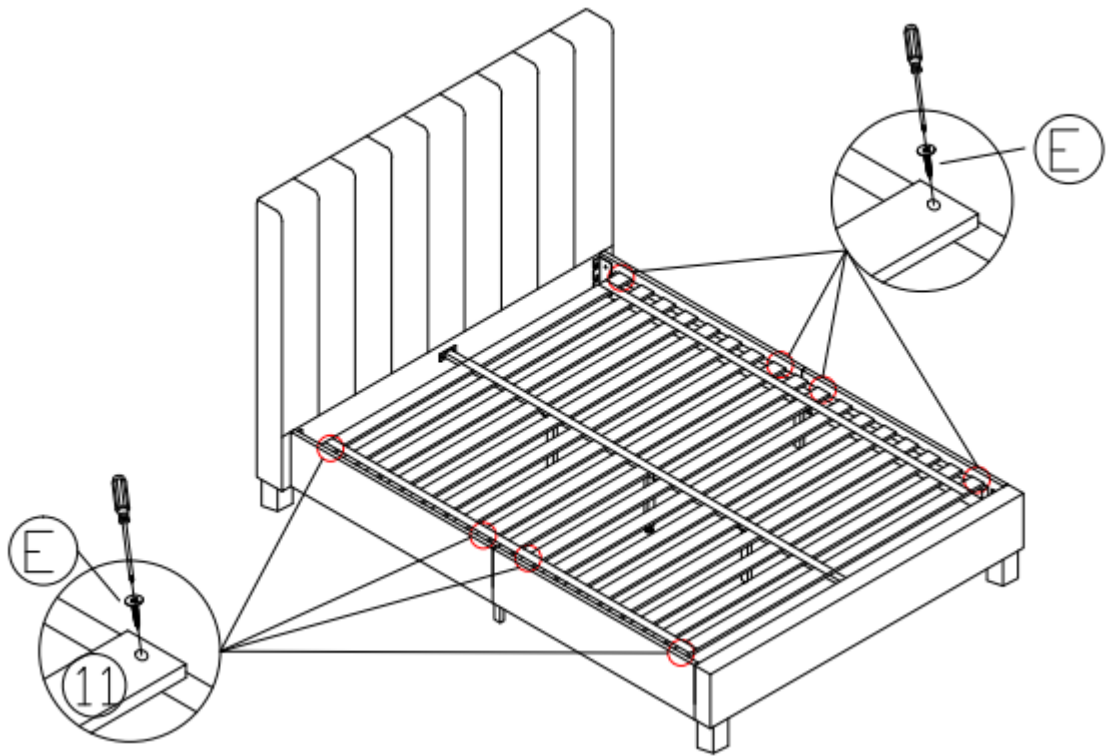
Bolts pre-installed on Headboard



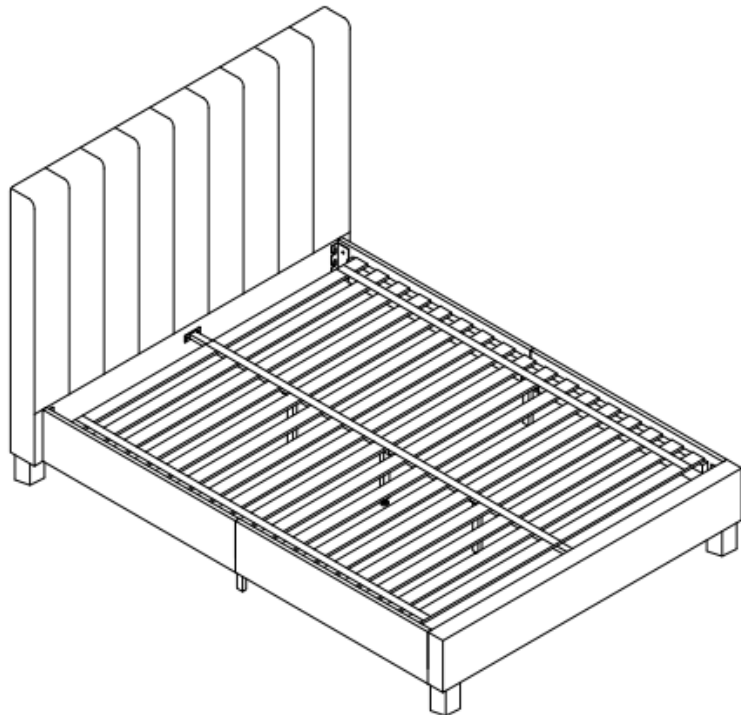
STEP 6:



STEP 7:



ASSEMBLY IS COMPLETE



REGULAR CARE:

- Protect from direct sunlight
- Vacuum regularly using low suction

CLEANING:

- Do not remove cushion covers for separate cleaning even though they may have zippers
- Do not wash, Do not dry clean, Do not shampoo clean
- Clean with hot water extraction machine. Professional cleaning recommended
- Do not use dishwashing liquid or laundry detergent
- Use only upholstery detergents
- Do not wet filling
- Dry in shade away from direct heat and sunlight
- Allow to dry thoroughly before re-use

SPOT CLEANING:

- Do not rub
- Do not spot clean with any solvent
- Treat spills and stains as soon as possible
- Gently scrape off any soil or mop any liquid from the surface of the fabric
- Apply proprietary cleaning agents strictly according to instructions to remove the residue of the spill
- Do not saturate the fabric or interior with water or other cleaning liquids

WARNING:

*Apply only water-based soil resist(fabric protection)treatments. Do not use aerosol products

*Pilling is not a fabric defect or fault and is not covered by warranty

*Pilling is a normal occurrence caused by wear and tear and does not affect the durability or functionality of the fabric and is easily removed